

WWW.ALTECH-UK.COM

AL
TECH UK



AL
code P

Multi Face Pallet Labelling Machine

Image above shows an ALcode P
multi-face label application system

Pallet Labelling

ALTech manufacture an unparalleled wide and varied range of industrial print and apply pallet labelling machines from simple single axis solutions (for placement within existing guarding) to semi-robotic freestanding multi-label application systems with integrated safety/protection cabinets, plus a host of other accessory options to meet even the most demanding requirements and environments.

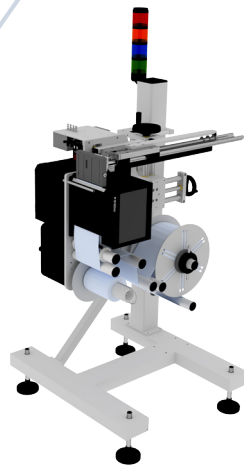
ALTech's pallet labelling solutions are based on their extremely well proven ALcode on-to-one print and apply machine range, integrating industry leading industrial print engines from manufacturers such as Zebra and Sato. This allows the customer to benefit from their respective print languages and interface options as well as the possibility of holding a 'hot-swap' print engine - popular with customers who are reliant on labelled products to allow them to ship their goods.

ALTech's pallet labelling solutions are therefore, some of the easiest pallet labelling machines to interface with, using their configurable PLC to control inputs, outputs and the functioning of the machine as well as handshaking with the customers line.

In simple terms ALTech offer three generic levels of machine, allowing them to provide the optimal solution (both in terms of performance and budget) for almost any pallet labelling requirement. They are as follows:

ALcode L single axis pallet labelling solution

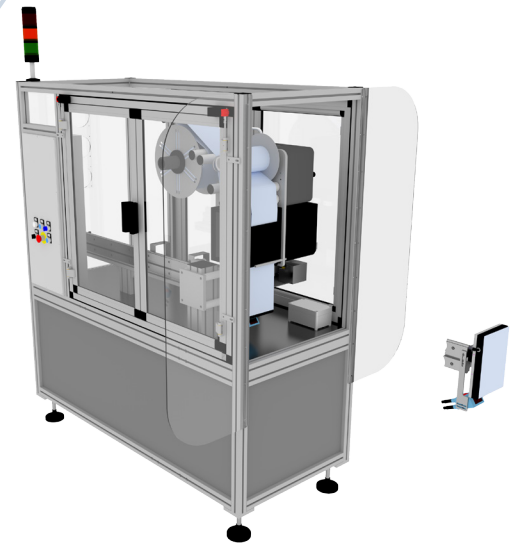
This machine is ideal for simple applications, such as, internal pallet identification labels, where interlocked guarding already exists or can be easily added and where pallets are relatively uniform in their size and shape, allowing a machine stroke to take the label from the printer to the pallet of a distance not more than 500mm.



ALcode L single axis pallet labelling solution for placement within existing guarding

Long stroke ALcode L single axis pallet labeller

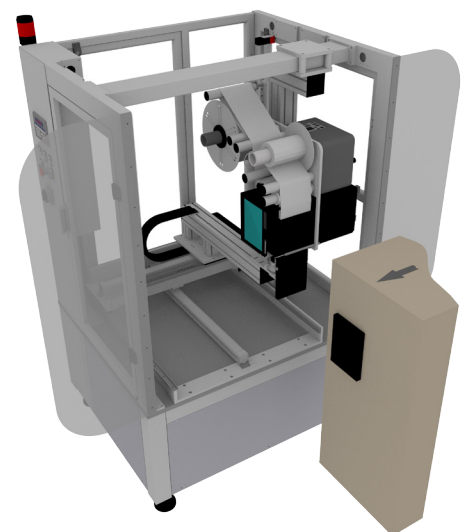
With its integrated base and safety cabinet to support the heavy duty extended stroke application system of the machine, this solution is ideal for turnkey stand alone single face (or up to four faces when used in combination with a conveyor turntable or turntable stretch wrapper) pallet labelling. It is configurable for strokes up to 1500mm and includes full cabinet interlocks and a larger PLC for more complex line integration requirements.



Long stroke ALcode L single axis pallet labeller with integrated base and safety cabinet

ALcode P multi-face label application system

The ALcode P is our premier turnkey pallet labelling machine, designed specifically for two face Serial Shipping Container Code (SSCC) A5 (210mm x 148mm) label application in compliance with the GS1 standards onto Standard and Euro pallets in a single pallet stop at up to 180 pallets p/hr. It includes full guarding/housing of all controls, interlock safety switches, electrics and pneumatics.



ALcode P multi-face label application system in a single pallet stop

ALcode P uses an extremely robust and advanced tri-axial linear movement roller bearing mechanism with rotating labelling head, allowing fast and accurate movement of the labels from the printer to the pallet face, even with pallets of slightly differing shapes and sizes. As standard, labels are applied via contact using a flexible head 'tamp' application system with digital pressure sensors to monitor contact with the pallet and automatically reverse at a set label pressure.

This highly flexible universal solution can also be designed with axis strokes to accommodate non standard pallets of significant size

differences as well as allowing multi label logics, including front and side or side-rear, as well as the possibility of front, side and rear (three labels) in either one or two pallet stops.

ALcode P is available with a host of enhancement options, including customer site standard PLC control systems, integrated label management systems to act as middleware between the pallet labeller and the customers ERP system (e.g. SAP), as well as the possibility of internally managing inputs and outputs from automated scanners etc. and querying product databases for appropriate label print data in a completely standalone format.

In addition to the above we also offer standard solutions for both stationary or moving front of pallet application and have the skills and expertise to design and build bespoke solutions with features such as:

- Variable height application - raising and lowering the application arm to accommodate single and double stacked pallets as well as part pallets; including intelligent solutions to detect the height of the pallet.
- Large format (A4 and above) print and label application.
- Variable height base - raising and lowering the entire machine structure for multi-face label application at differing label heights.
- Integration of a labelling stapling solution; e.g. to securely apply tracking labels to the base of the wooden pallet.
- Detection systems to identify and place the label on a specific feature of the pallet; e.g. onto the straps or between layers of a pallet.



Application of SSCC GS1 2 Face Labels

Enhancement Options

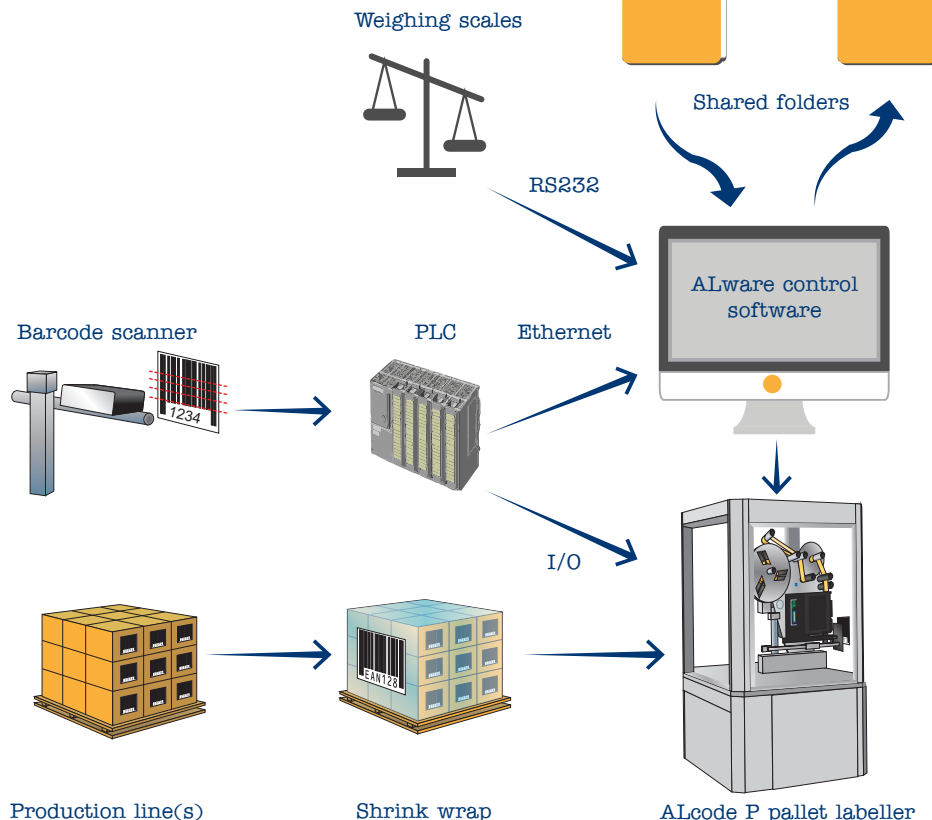
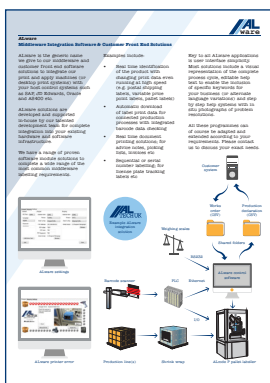
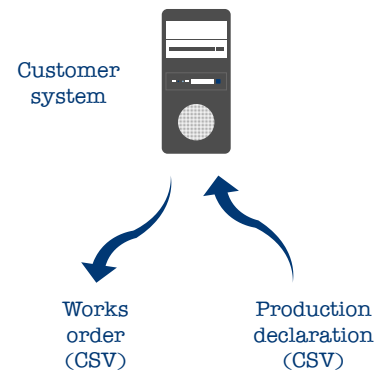
- Air blow application assist, for very uneven pallet surfaces.
- Laser scanner mounted off the application head, to confirm label application and barcode readability.
- Anti dust cabinets with the option of pneumatic opening systems.
- Filtrate ventilation systems and/or thermostatic heater control.
- Fibre optic label on tamp check sensor - to confirm the label is not lost from the vacuum pad before application.
- Near-end-of roll control with colour machine status beacon.
- Label rotation solutions, allowing the label to be printed in a variable orientation to its application; e.g. portrait print, landscape application.
- Middleware pallet identification and software integration solutions (see ALWare Integration Software below).

ALWare Integration Software

ALWare is the generic name we give to ALTech's middleware and customer front end software solutions to integrate our print and apply machines (or desktop print systems) with customer's host control systems such as SAP, JD Edwards, Oracle and AS400 etc.

ALWare solutions are developed and supported in-house by ALTech's talented development team for complete integration into customer's existing hardware and software infrastructure.

ALTech have a range of proven software module solutions to complete a wide range of the most common middleware labelling requirements.

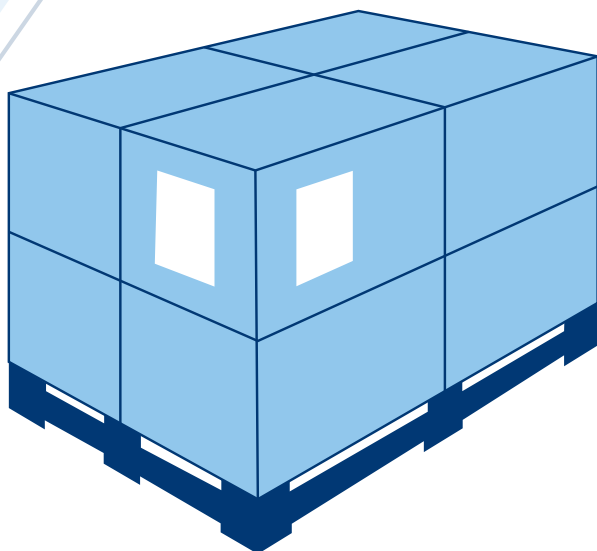


SSCC - Serial Shipping Container Code Pallet Labels

The SSCC holds the GS1 identification data for trade items packaged together for storage and/or transport in a logistic unit such as a pallet, allowing it to be easily tracked and managed through the supply chain for the lifetime of the pallet anywhere in the world. The SSCC is a crucial component of the GS1 logistic label comprising 18 sequentially generated digits to uniquely identify each distributed logistic unit and its content. It is the only mandatory data on the logics label (as defined in the GS1 standard) and can be encoded in a barcode or EPC/RFID tag.

SSCC data is shared electronically between the supplier, trade partners and end customer allowing information regarding the status of the logistic unit in transit and details of the shipment arrangements to be easily accessed and managed throughout the whole supply chain.

When a new SSCC number is assigned, all of the relevant information on the pallet is recorded in the issuer's database. As soon as that pallet is picked to meet a customer's order, the supplier notifies its trade partners and customer of the SSCC corresponding to the particular pallet shipped (including all relevant information), enabling it to be tracked throughout the whole supply chain. Upon receipt of the pallet the SSCC is scanned, speeding up the receipt of goods as well as the subsequent invoicing process.



SSCC GS1 2 Face Label Positions

ALcode P Technical Specification

Print Type	Thermal transfer or direct thermal (at 203 or 305 dpi)*
Label Size	Up to max 167.5mm print width. Up to max 180mm label carrier width **
Interfaces	Serial, Parallel, USB and LAN as standard, optional Bluetooth and Wireless
Real-time Clock	Yes (providing possibility to print time stamp)
Production Speed	Up to 180 pallets p/hr single face, 120 pallets p/hr two face
Label Roll Diameter	300 mm (option: 400 mm)
Power Supply	220V, 50 Hz, 800W
Air Consumption	Max 6 bars, 60 litre/min

* Dependent upon printer model

** Larger print format options available on demand

Free format information



UCC/EAN LOGISTICS LABEL	
From ALTech UK Central Park South Wales CF31 3RT	To ALTech Italy Bareggio (Milan) Viale de Gasperi 72
SSCC 0 0000000 000000000 0	
CONSIGNMENT 0000000000000000	SHIP TO POST 000 00000
(00)00000000000000 (00)00000000	
(00)0000000000000000	

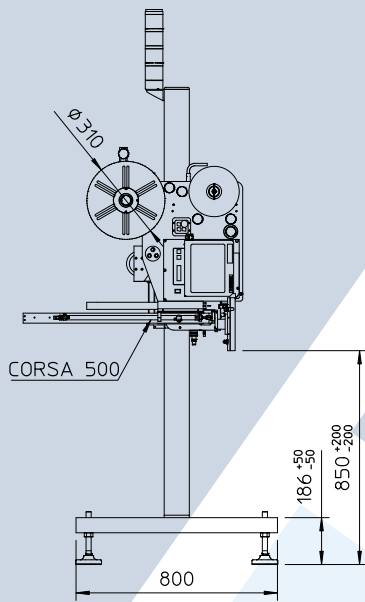
Text information and human readable interpretations of the barcodes



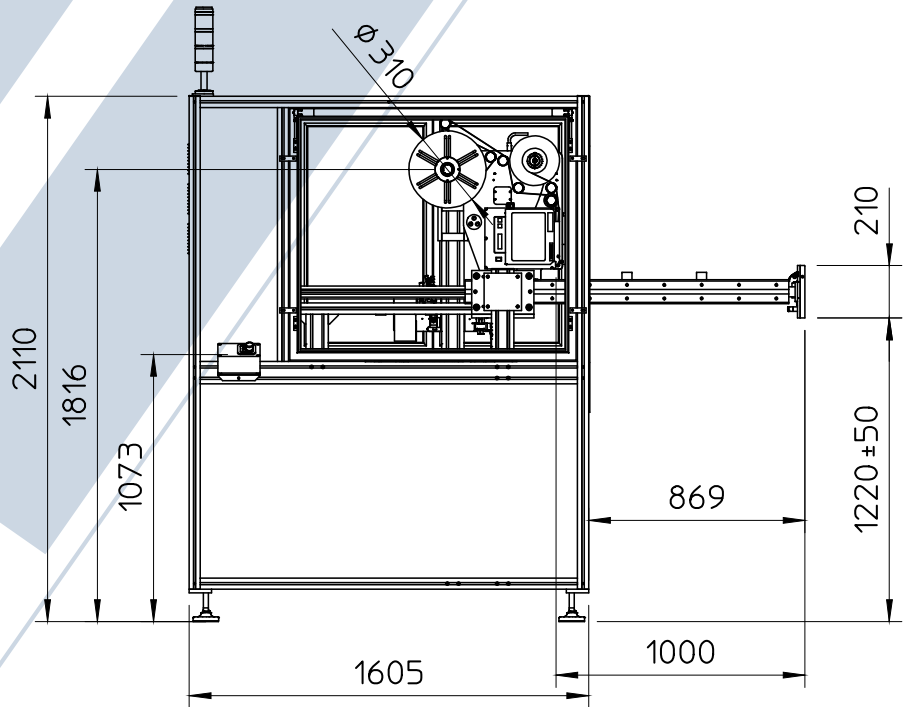
Barcodes and their associated interpretation
SSCC must be the last



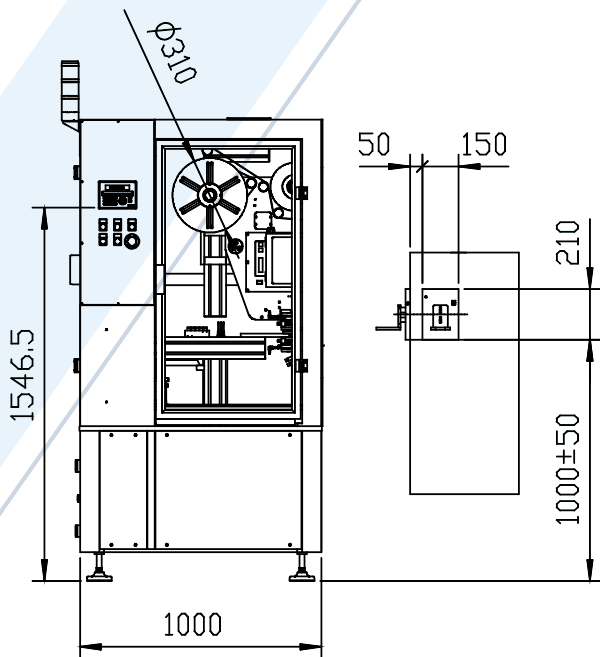
Example of a SSCC GS1 Label



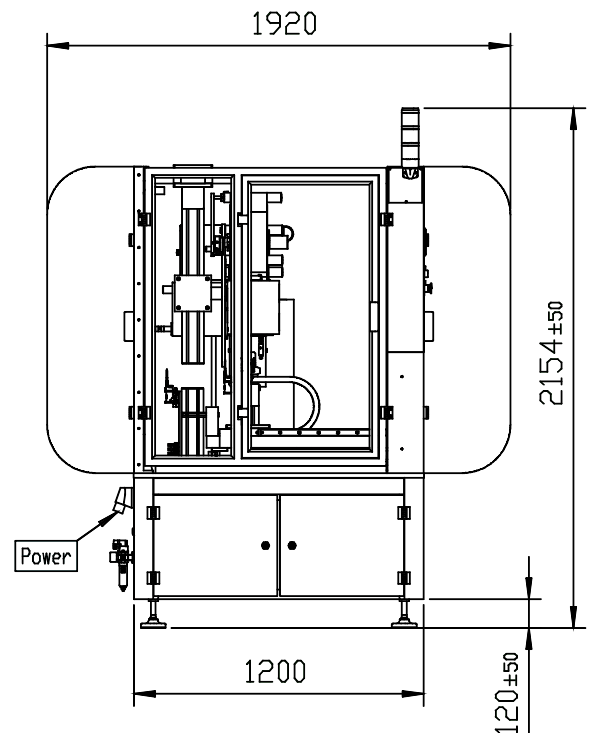
Alcode L single axis pallet labelling solution for placement within existing guarding



Long stroke ALcode L single axis pallet labeller with integrated base and safety cabinet



ALcode P multi-face label application system in a single pallet stop



Tel: 0800 612 6205
 Int: +44(0)1656 654 403
 Fax: +44(0)1656 649 555
 E-Mail: sales@altech-uk.com
 Web: www.ALTech-UK.com

ALTech UK Labelling Technologies Ltd
 Unit 2220, Central Park, Western
 Avenue, Bridgend, Mid Glamorgan,
 South Wales. CF31 3RT